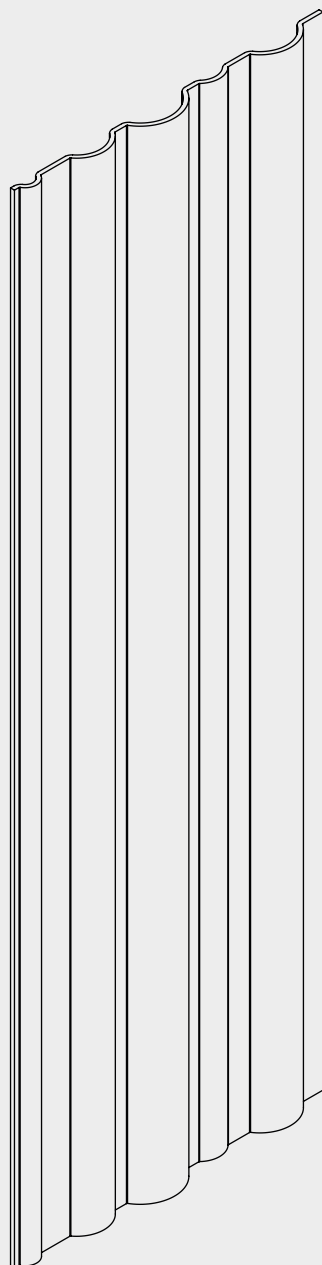


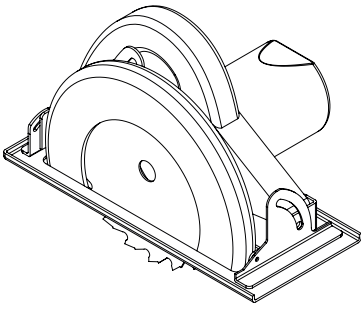
Mute Fit PET Felt Acoustic Panel Installation Guide



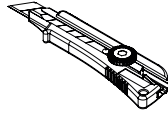
DeVorm

Tools

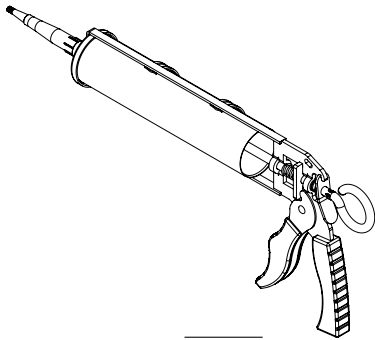
⚠ If you install the Mute panels with a fire retardant treatment, make sure to mount them on a non-combustible background and / or use non-combustible mounting materials.



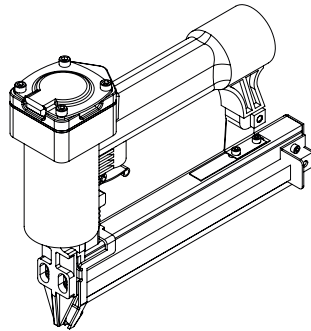
Circular saw



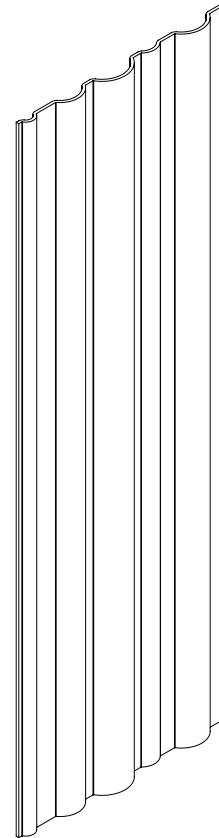
Snap-off blade
cutter



Glue gun

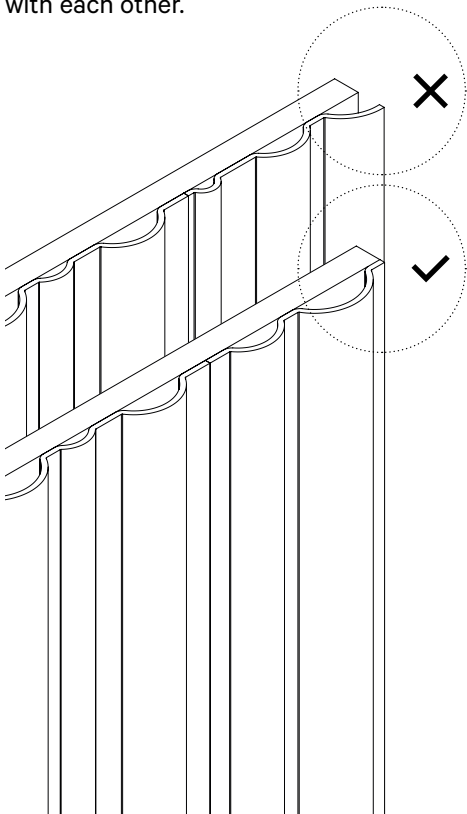


Nail gun

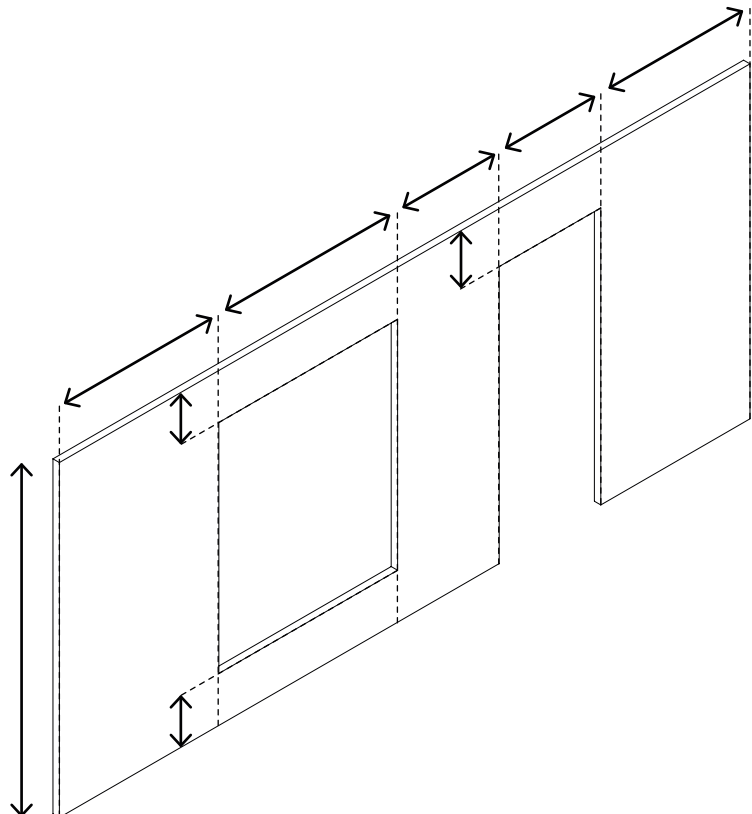


Mute Fit panel

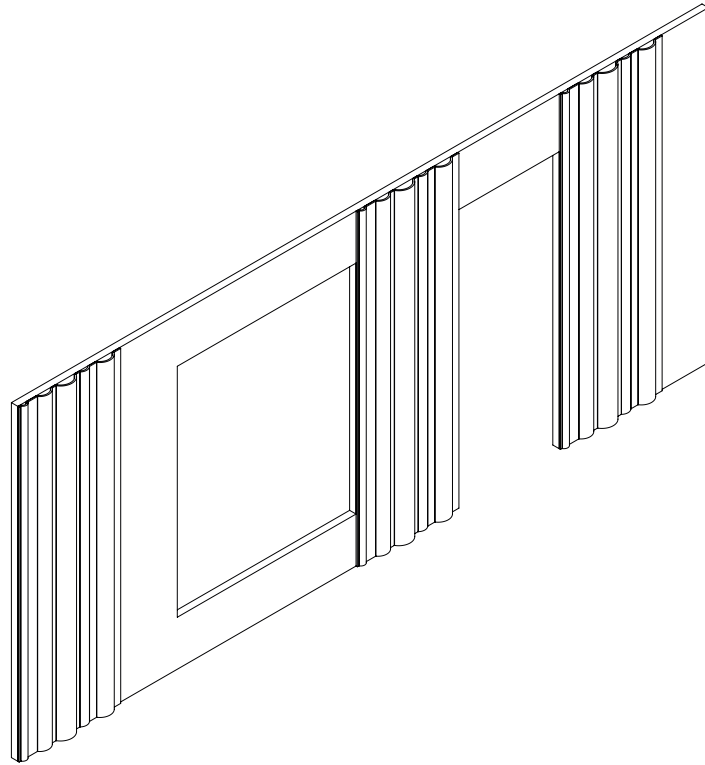
The asymmetric design of Mute Fit has a hidden algorithm behind. It ensures that a piece of any length, cut out of the panel, always has a flat part at the start and at the end. As a result, all parts can be seamlessly connected with each other.



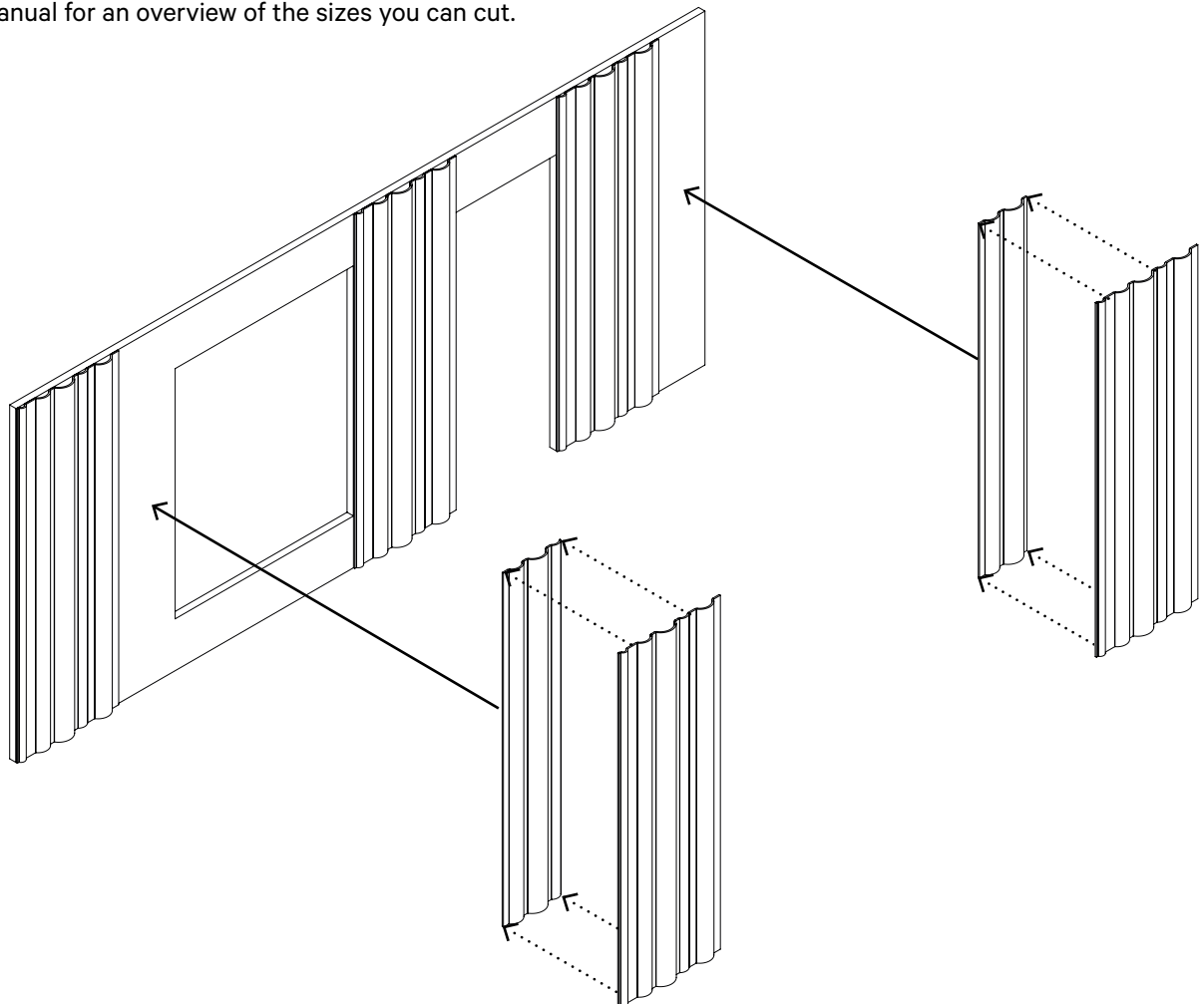
1 Measure all the parts of the wall you want to cover with Mute Fit panels.



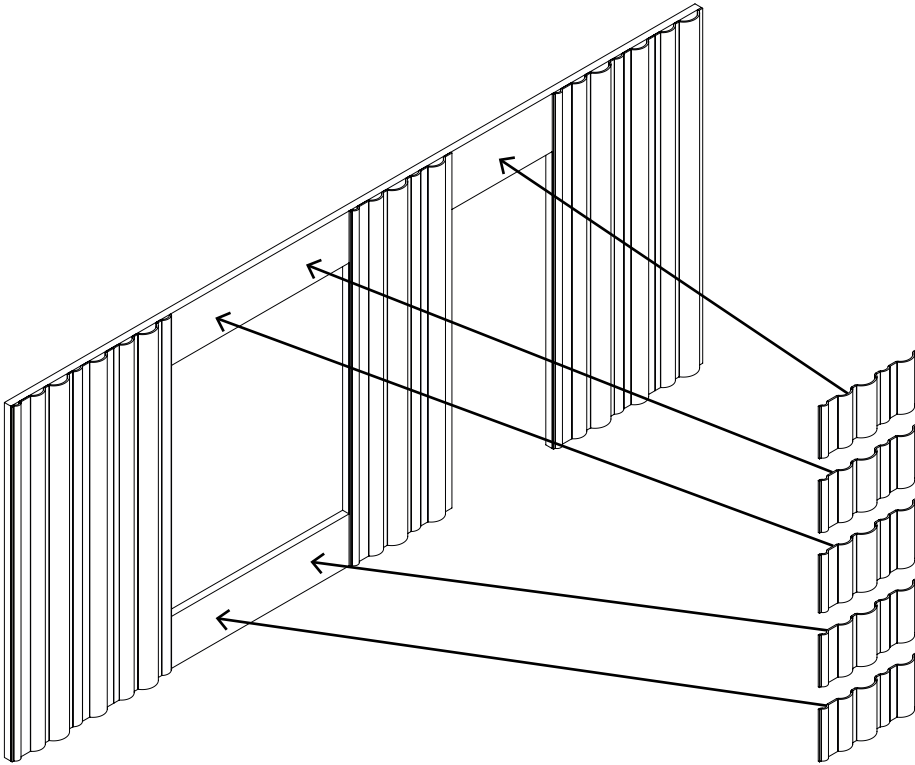
2 Calculate how many intact panels fit on the walls.



3 Measure how much width you need of a whole panel, to fill up the empty pieces. Cut or saw the pieces. Go to the end of this manual for an overview of the sizes you can cut.

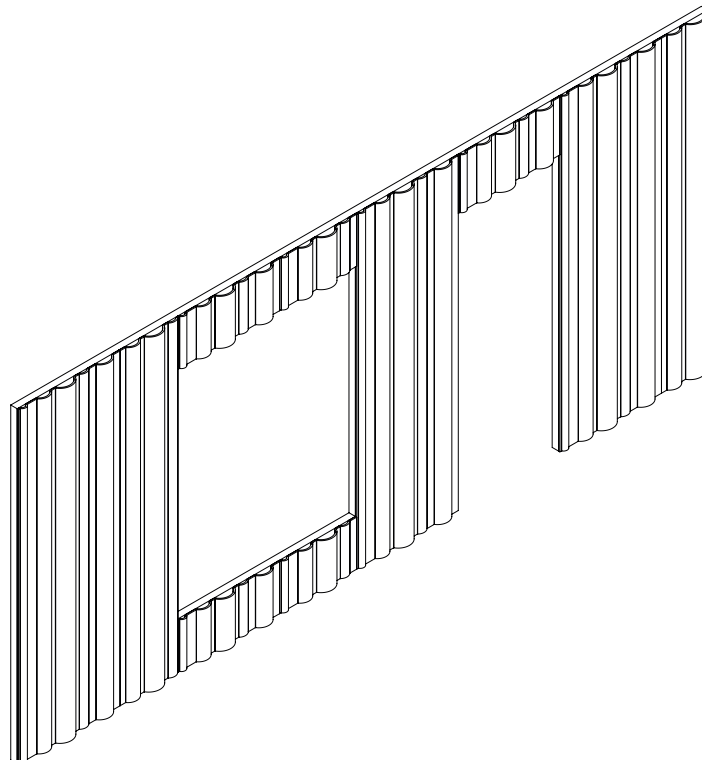


4 Measure the size of the remaining blanks, and cut the last pieces.



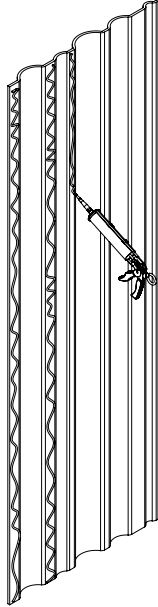
! Make sure every panel ends on a flat piece. Only cut on the flat parts.

5 Now you have all the pieces to cover the wall with Mute Fit panels.

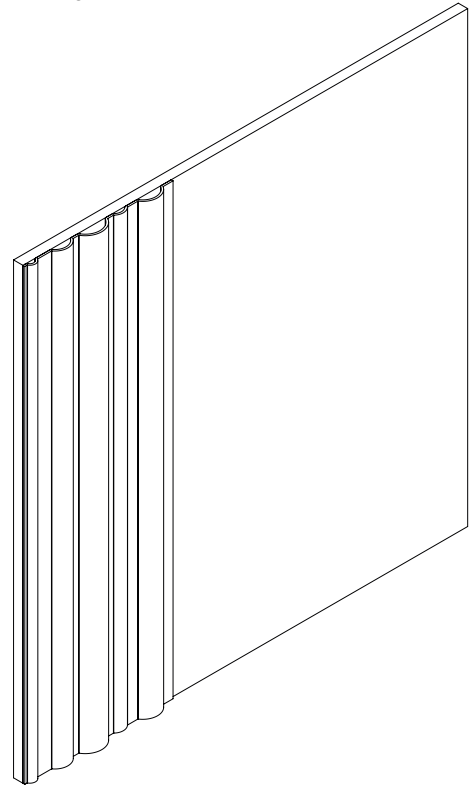


Fix Mute Fit with glue gun

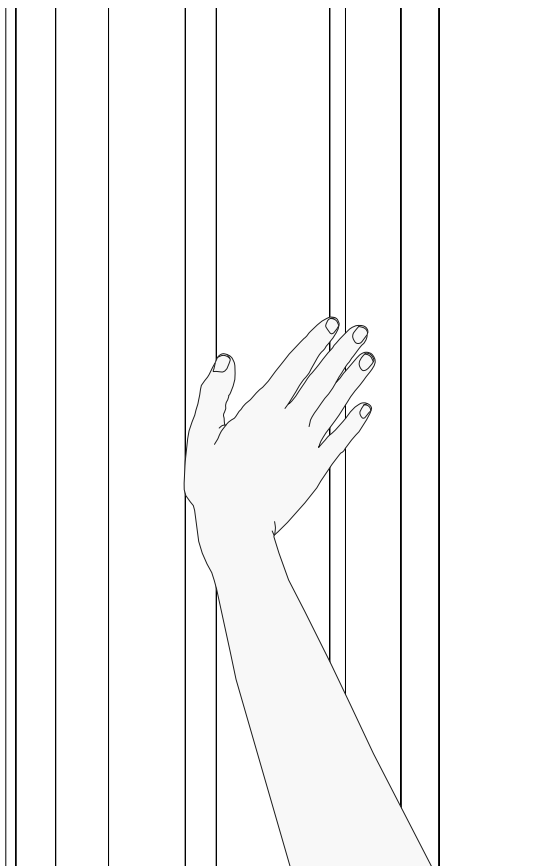
- 1 When you made sure the surface is clean and flat, apply the adhesive to the panel, following the adhesive manufacturer instructions. Distribute the glue evenly on the flat parts of the panel.



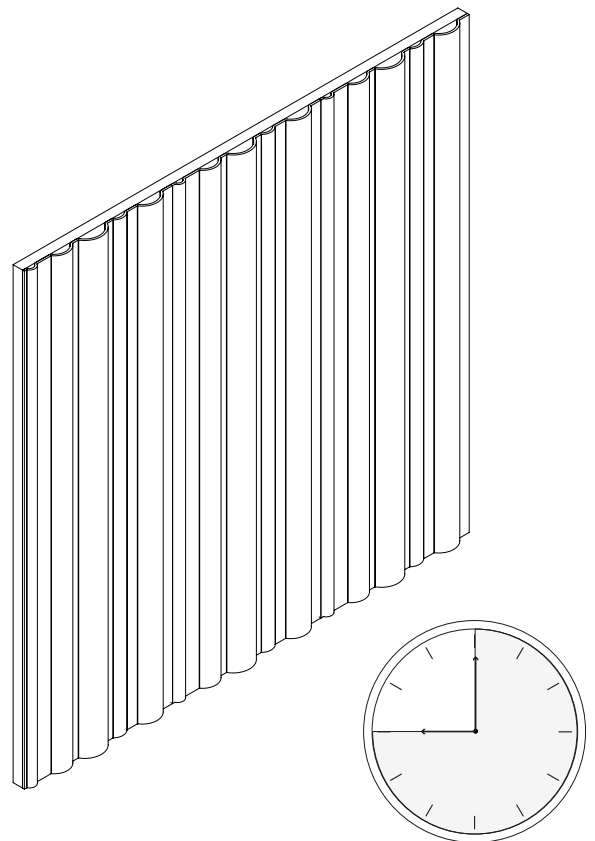
- 2 Start applying the panel from the bottom, and place the panel aligned on the wall.



- 3 Press the panel firmly against the surface, make sure that the corners and edges are properly attached.

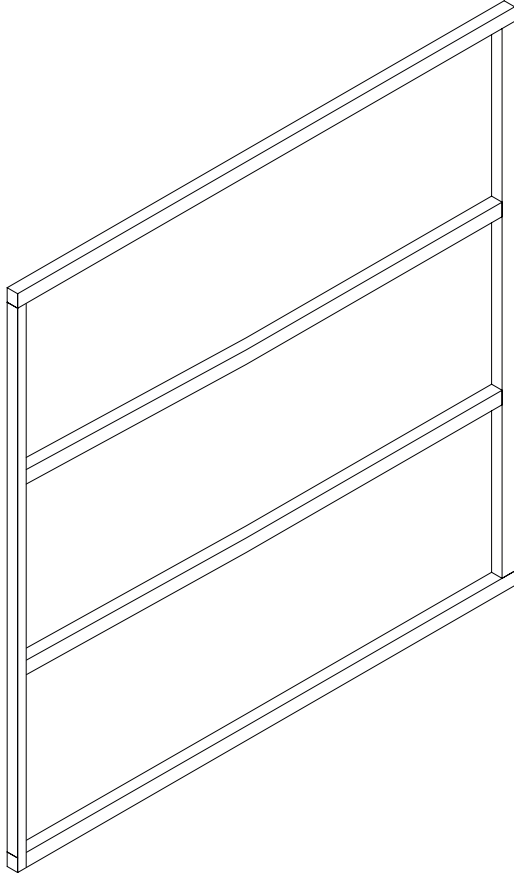


- 4 Allow the adhesive to cure. The curing time may vary, follow the adhesive manufacturer recommendations.

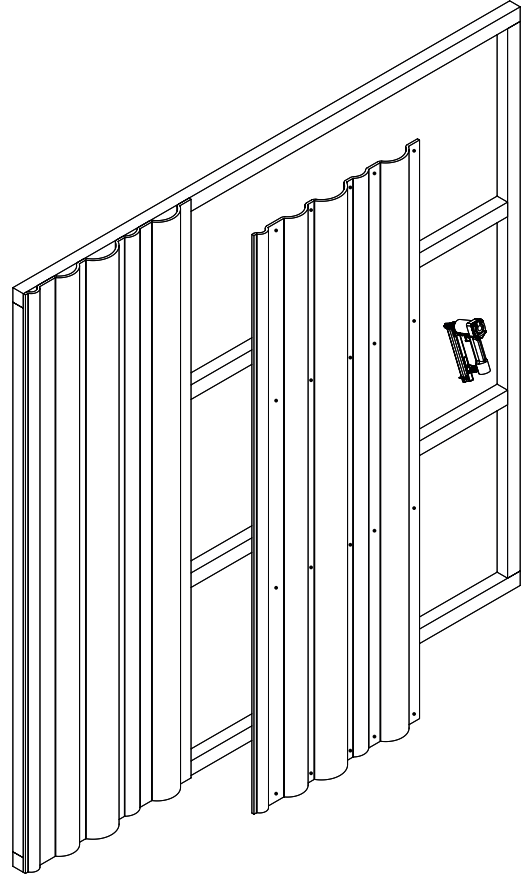


Fix Mute Fit with nail gun

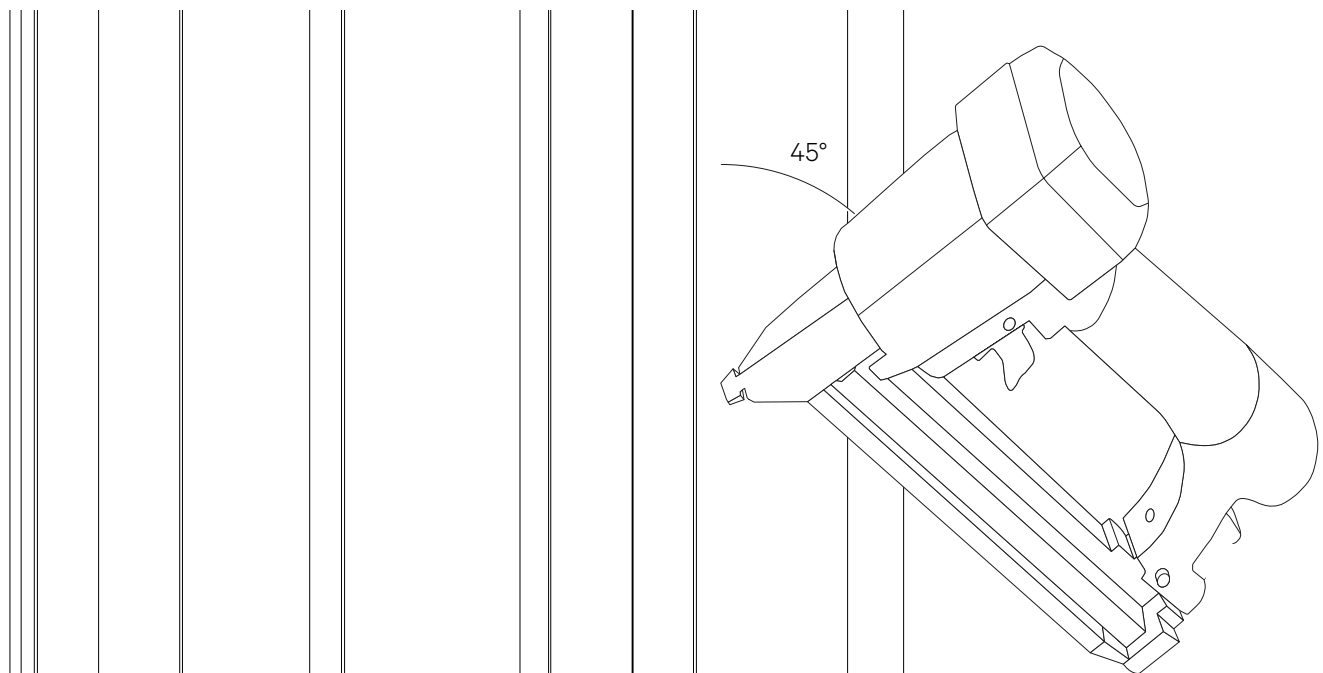
- 1 Prepare a wooden framework and make sure the frame is leveled.



- 2 The pressure of a pneumatic nailer tool must not be set too high, otherwise the staples or nails can go through the material.



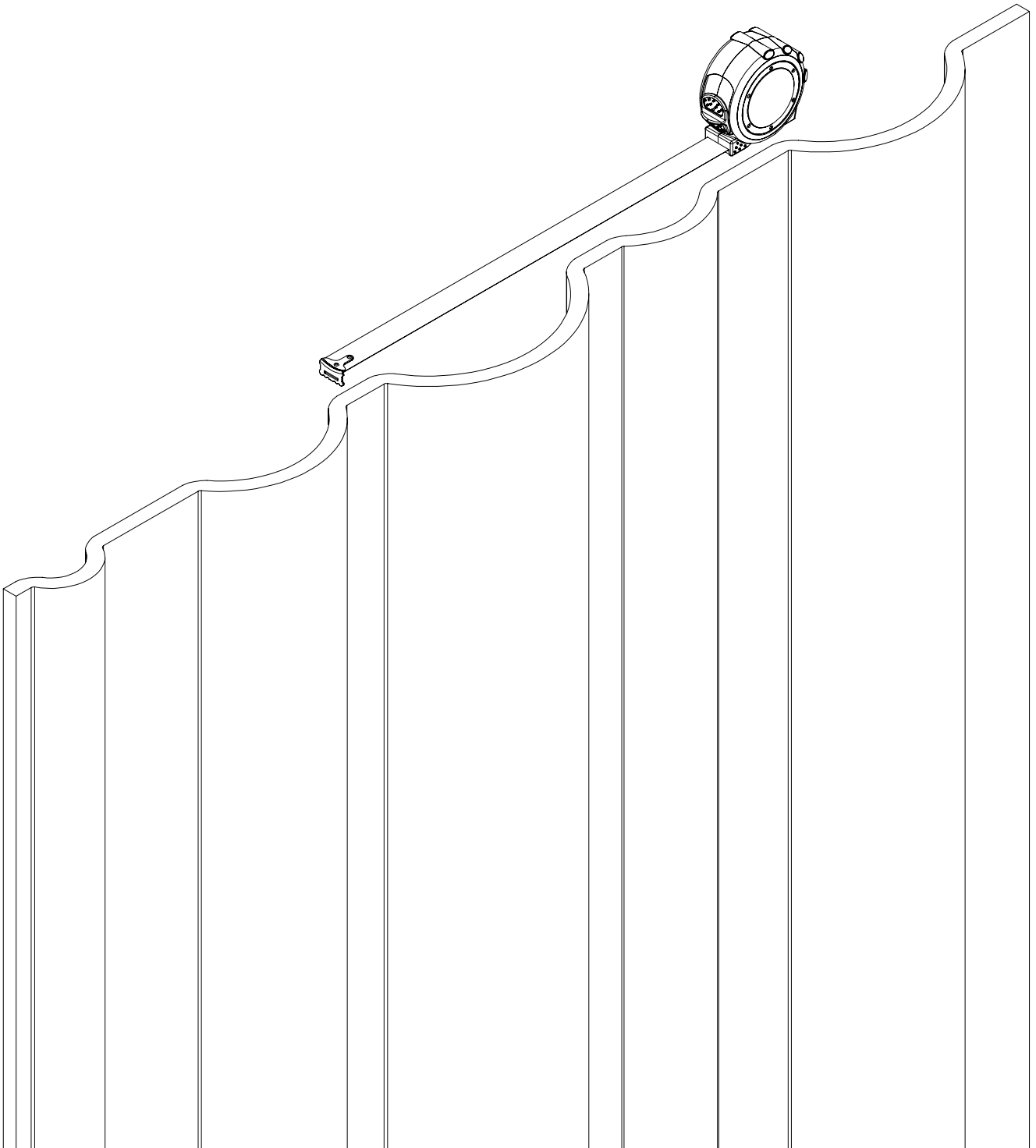
- 3 For a better grip of the headless nail, the nails can be applied at an angle of approximately 45° .



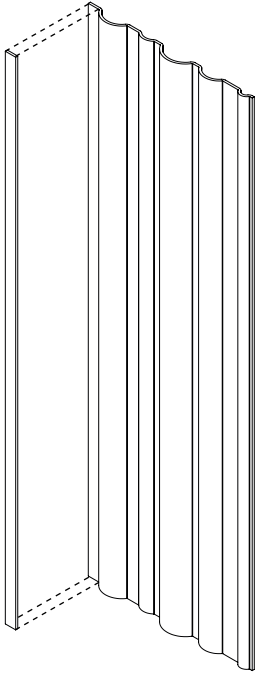
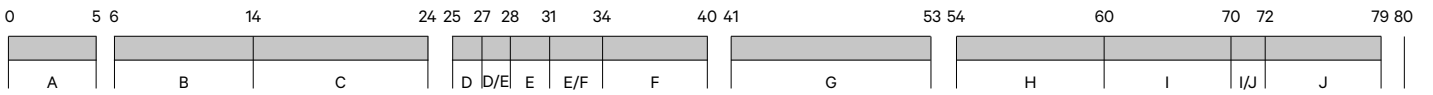
Measures

Mute Fit PET Felt Acoustic Panel

The easiest way to measure how much of a panel you need and where to cut, is to lay a tape measure along the section of the wall where you need a custom piece of a Mute Fit panel. Then place the tape measure along the top of the panel, and slide until you find a position where the ends of the tape measure touch a flat part of the panel. Those positions are the places where you can cut or saw the panel. In the following pages, you'll find an overview of all the dimensions you can get out of Mute Fit panels.

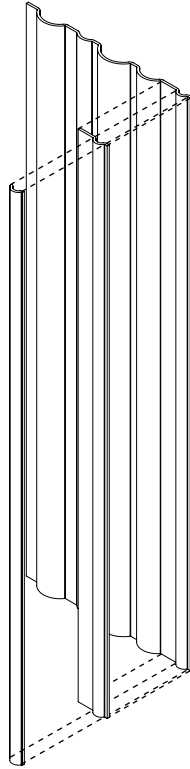


Legend



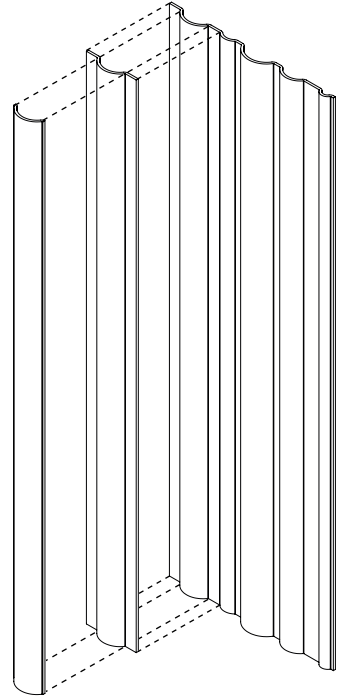
A

0 - 5 cm



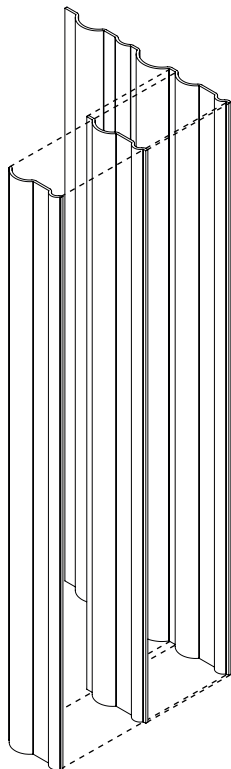
B

6 - 14 cm



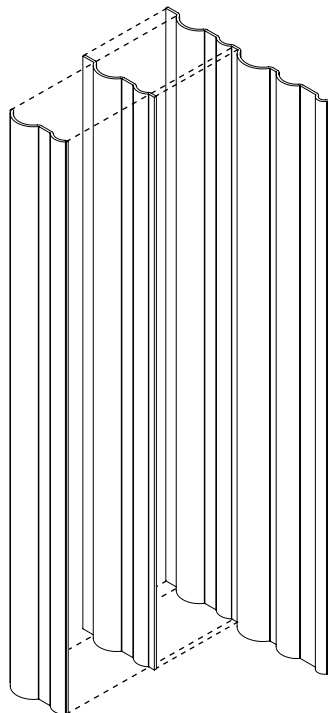
C

14 - 24 cm



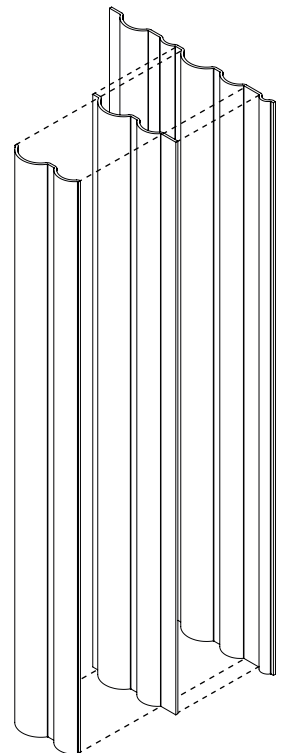
D

25 - 28 cm



E

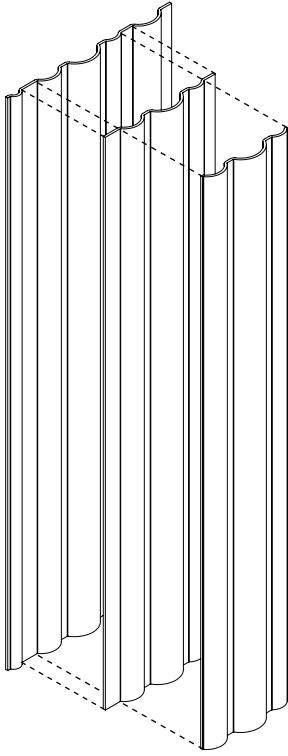
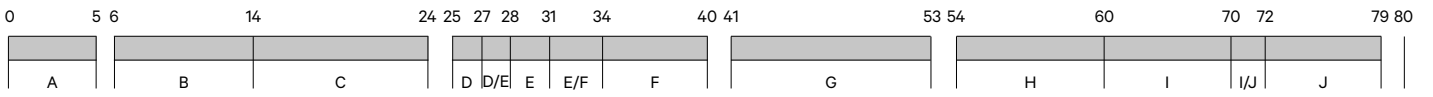
27 - 34 cm



F

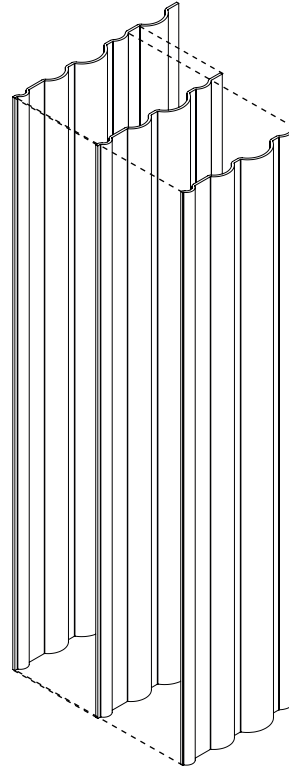
31 - 40 cm

Legend



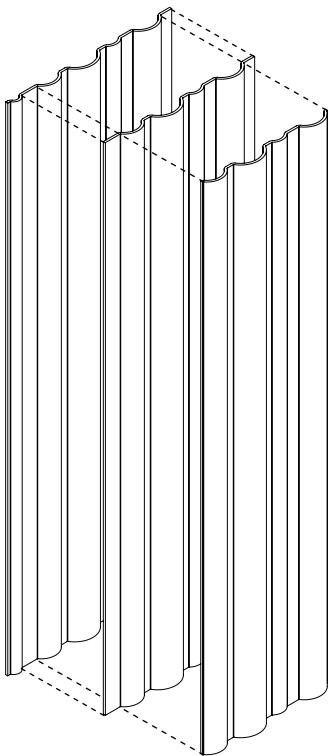
G

41 - 53 cm



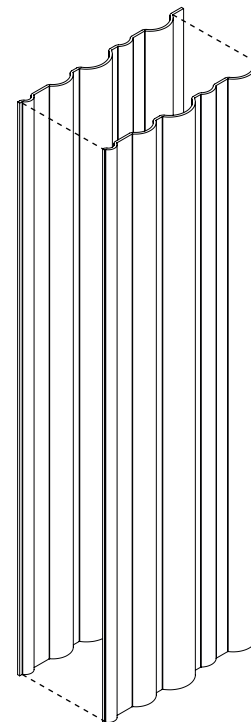
H

54 - 60 cm



I

60 - 72 cm



J

70 - 79 cm

We create interior products by today's standards.

De Vorm is established in a new era, we develop products by the standards of today. This means we produce efficiently, use the full lifecycle of products and eventually give them a new life.

Our emphasis lies on making a product that works, by setting a variety of conditions; it should be legible, accessible, but also environmental friendly and aesthetically perfectly in balance.

We like a product because of its functionality.

A good product makes life easier — by helping us function better throughout the day. We firmly believe that the beauty of a design lies in the sum of its functions. That is what makes it a complete product.

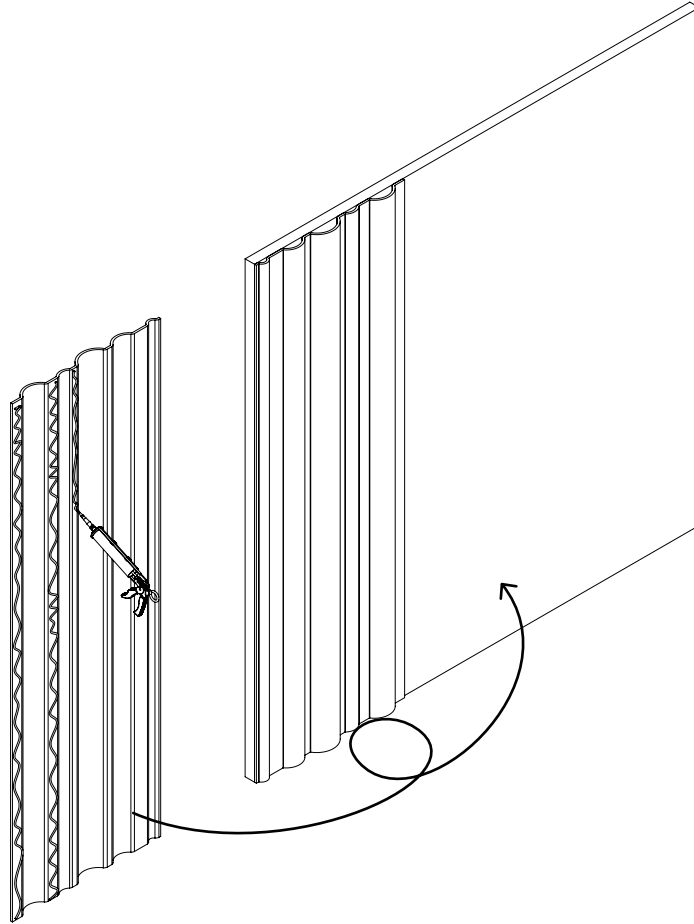
We continuously raise the bar.

From the very first sketches we already start searching, combining and developing new techniques to find new possibilities to innovate. Our design process is infused with technical development; techniques result in aesthetic features and the other way round.

Leemansweg 45
6827 BX Arnhem
The Netherlands

T +31(0) 268 200 360
E info@devorm.nl
W www.devorm.nl

-
- 6 If you want to glue the panels to the wall, use a glue gun. Place glue on the flat parts of the backside of the panels. Then press the panels onto the walls. If you want to nail the panels to the wall, skip this step.



-
- 7 If you want to nail the panels to the wall, make a frame of wood on the walls you want to cover with the Mute Fit panels, and fix the panels to the frame with a nail gun.

